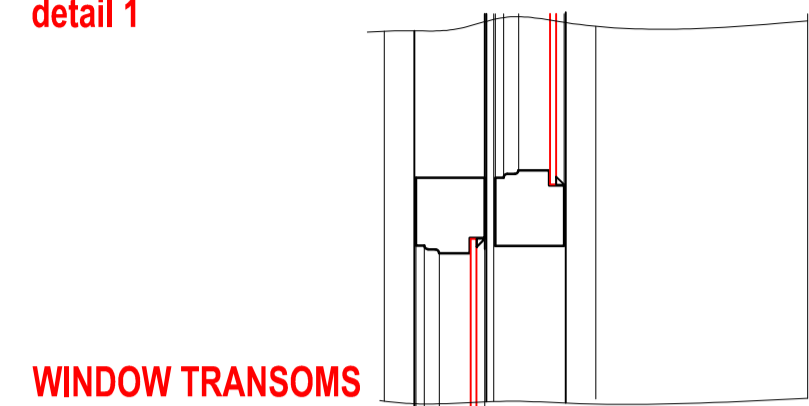
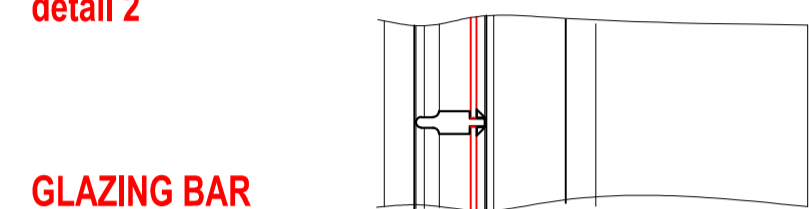


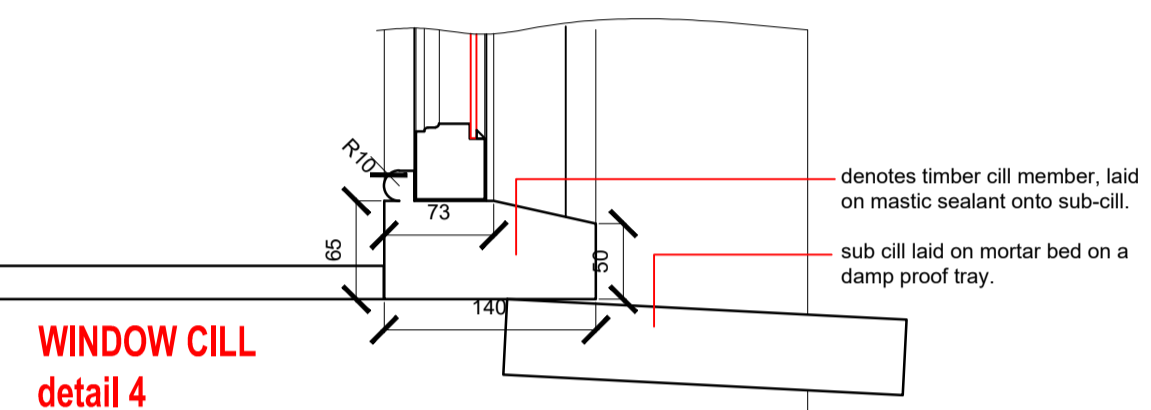
WINDOW HEAD
detail 1



WINDOW TRANSOMS
detail 2



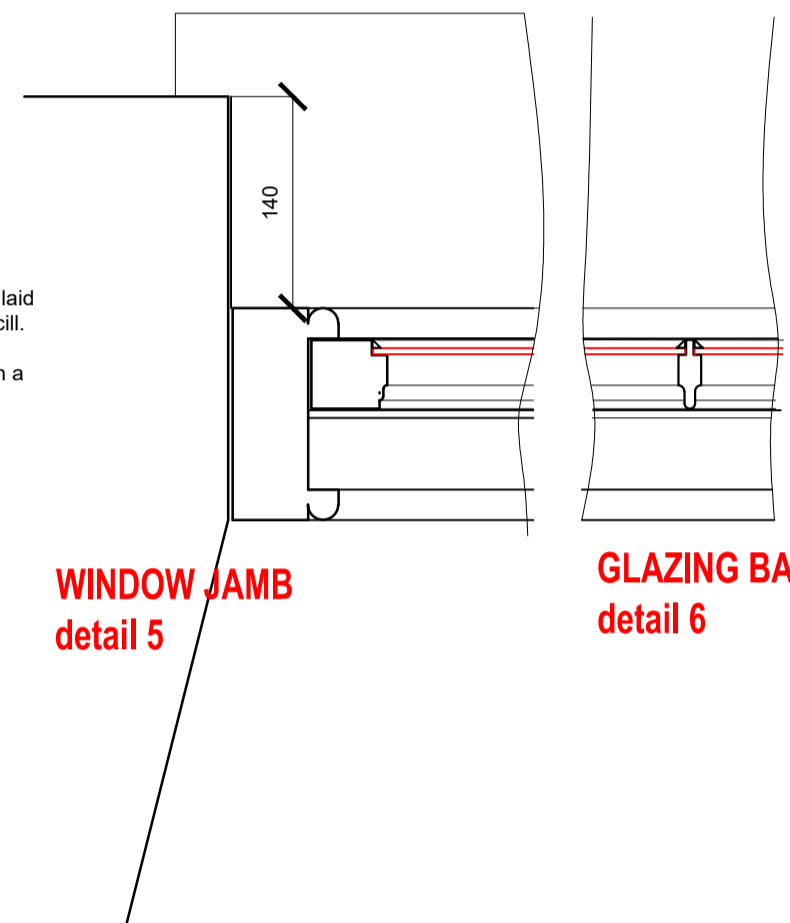
GLAZING BAR
detail 3



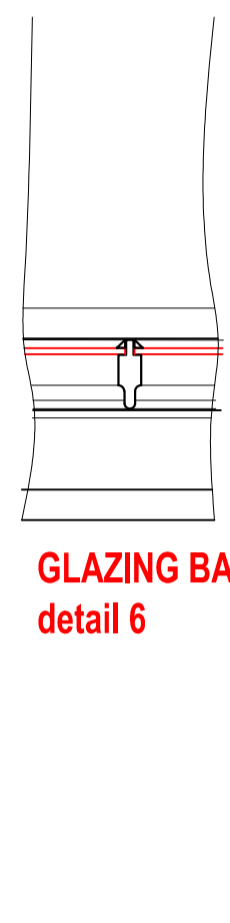
WINDOW CILL
detail 4

The details drawn are based on a copy of the existing windows which are being retained. It is the joiners responsibility to take accurate profiles to ensure that all new doors are an exact copy of the originals on site.

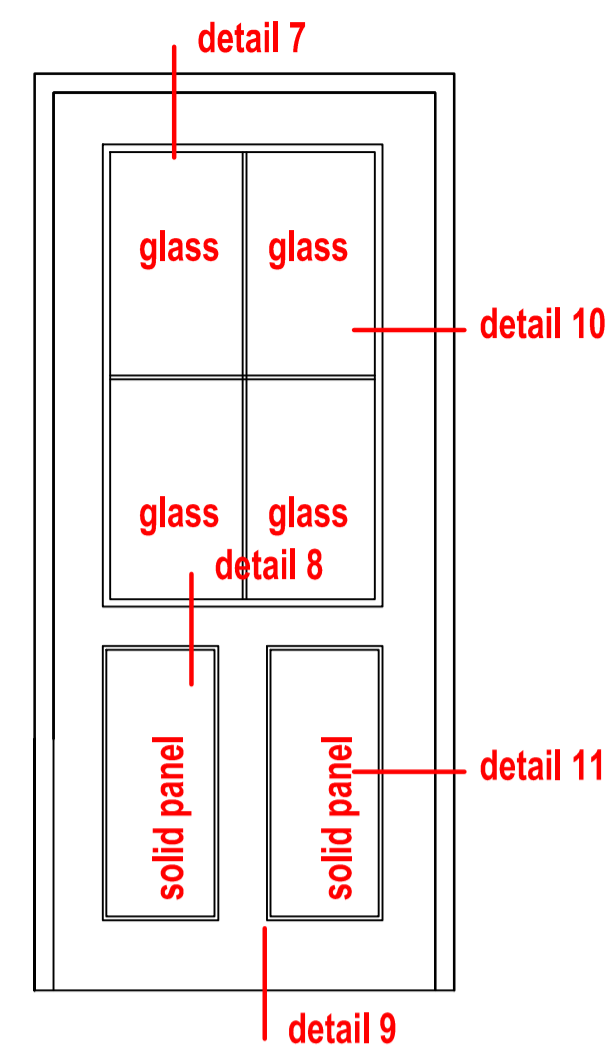
MANYLION Y FFENESTRI NEWYDD
new sash window details. 1.5



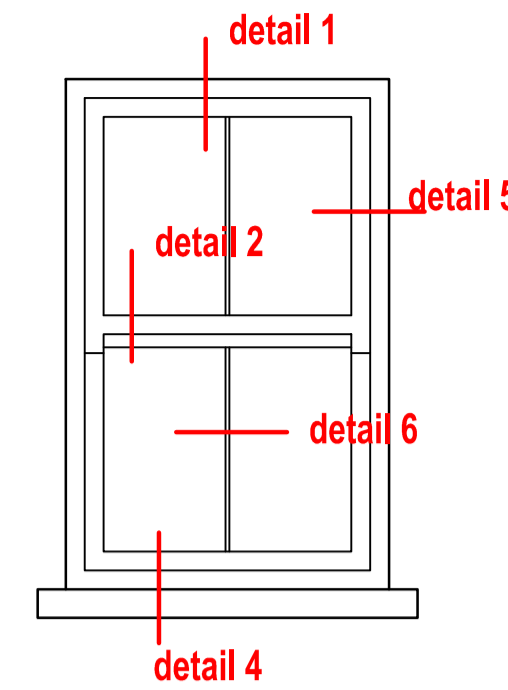
WINDOW JAMB
detail 5



GLAZING BAR
detail 6



DRWS NEWYDD
typical new door 1.20



FFENESTR NEWYDD
typical new window 1.20

EXTERNAL DECORATION (NEW TIMBER)
All surfaces of factory primed or base stained smooth planed joinery must be sound and clean and free from anything that will hinder adhesion of materials to be applied. Moisture content of wood not to exceed 18%. Denib using fine grade Scotch Brite Pad (grey). Do not break surface of any base coating.

All surfaces of bare smooth planed timber must be sound and clean and free from anything that will hinder adhesion of materials to be applied. Moisture content of wood not to exceed 18%. Denib using fine grade Scotch Brite Pad (grey). Do not break surface of any base coating.

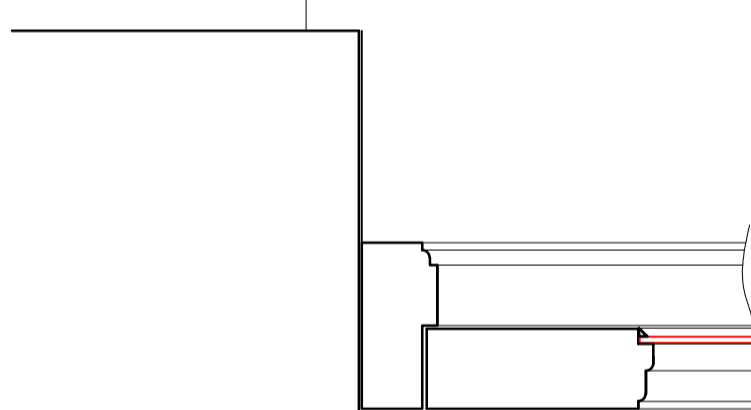
Round all sharp edges to a 1-3mm radius. Scrub and swab surfaces of all timbers with natural oils with methylated spirits. Remove excess resin from knots by using a hot air paint stripper. Wipe all surfaces with methylated spirits to remove all remaining residues. Apply two thin coats of fresh knotting to all exposed knots.

Prime all areas to be decorated with one coat of Santex Trade flexible Primer-undercoat (not less than 63 micrometres coat thickness) in accordance with manufacturers instructions. Ensure end grain is well coated. Denib using fine grade Scotch-Brite.

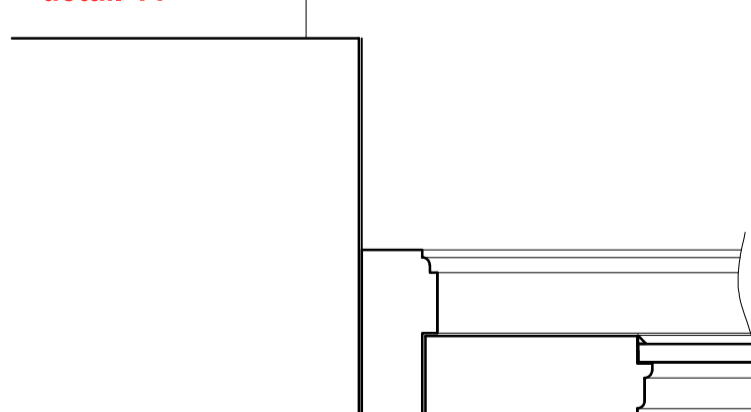
Apply two full coats of Santex Trade Flexigloss X-tra in accordance with manufacturers instructions. Ensure that end grain is well coated. Each coat thickness not to exceed 59 micrometres.

Apply a suitable exterior capping sealant to cover the joints between glass, glazing system and decorated beads in accordance with manufacturers instructions. Apply a suitable approved perimeter sealant to window and door frames.

DOOR JAMB
GLAZING
detail 10

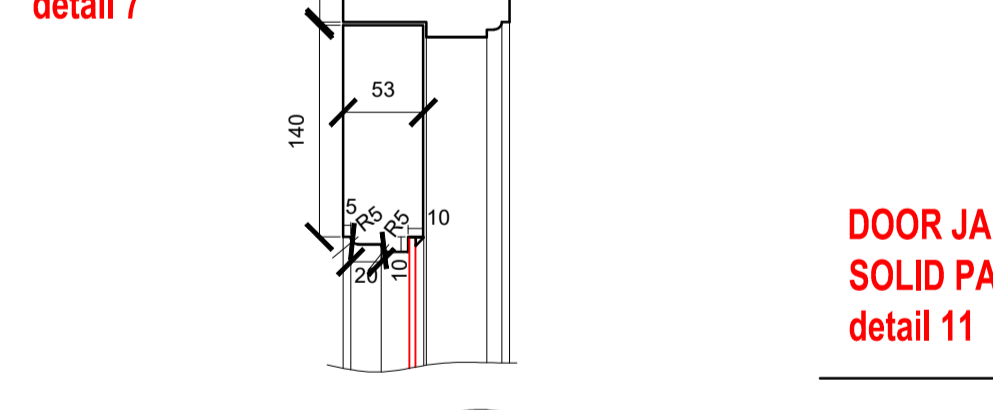


DOOR JAMB
SOLID PANEL
detail 11

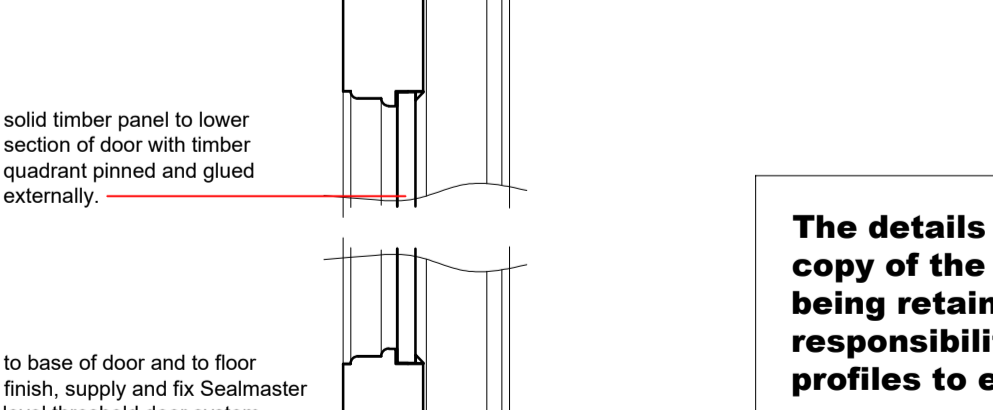


The details drawn are based on a copy of the existing doors which are being retained. It is the joiners responsibility to take accurate profiles to ensure that all new doors are an exact copy of the originals on site.

DOOR HEAD
detail 7



DOOR TRANSOM
detail 8



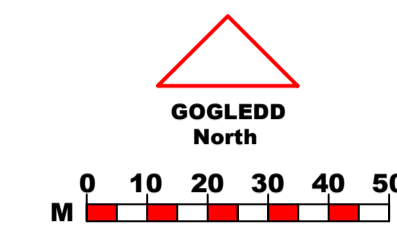
DOOR CILL
detail 9

MANYLION Y DRYSIAU NEWYDD
new door details. 1.5

DRWS NEWYDD
typical new door 1.20

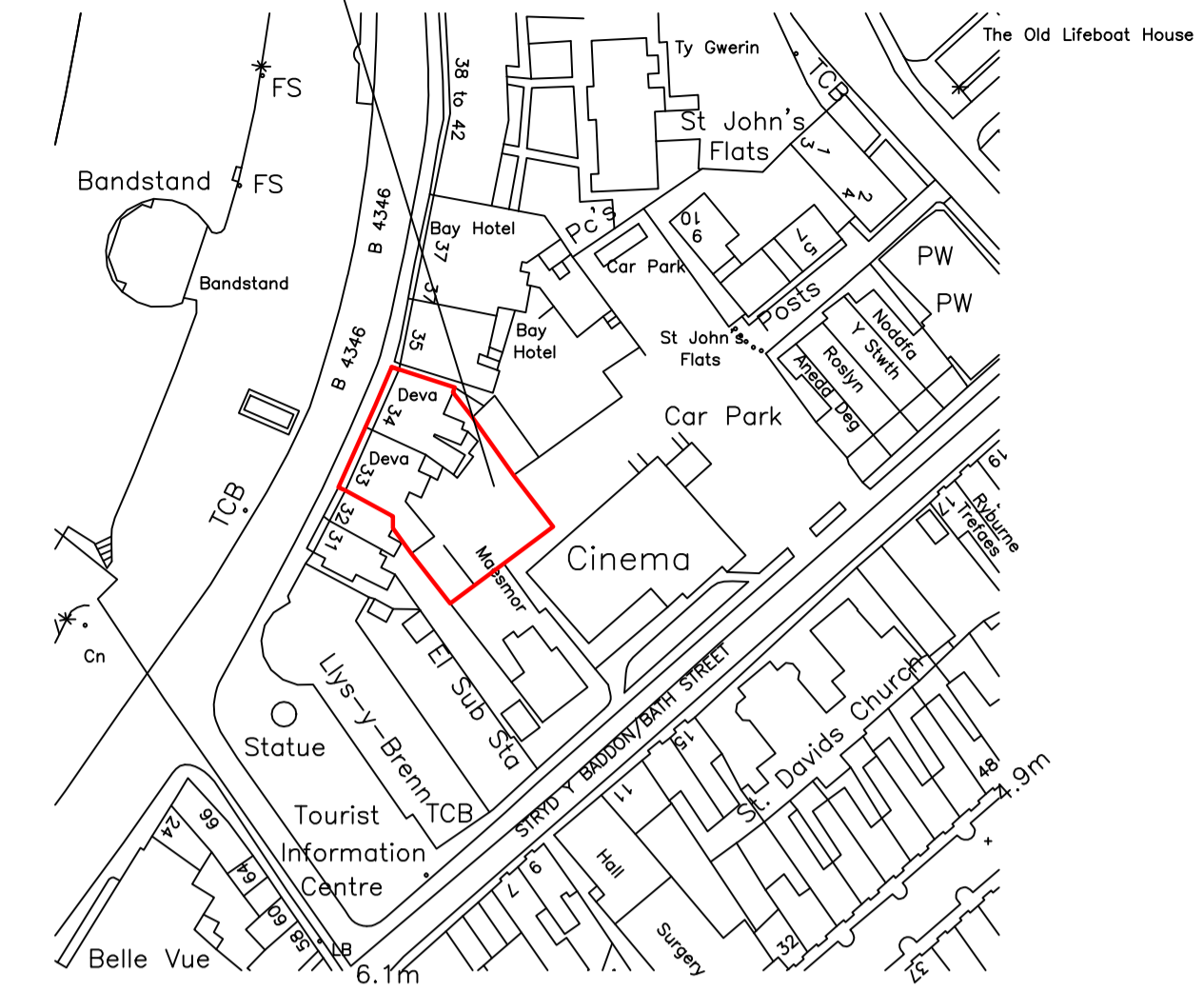
FFENESTR NEWYDD
typical new window 1.20

PROPOSED SITE OUTLINED IN RED



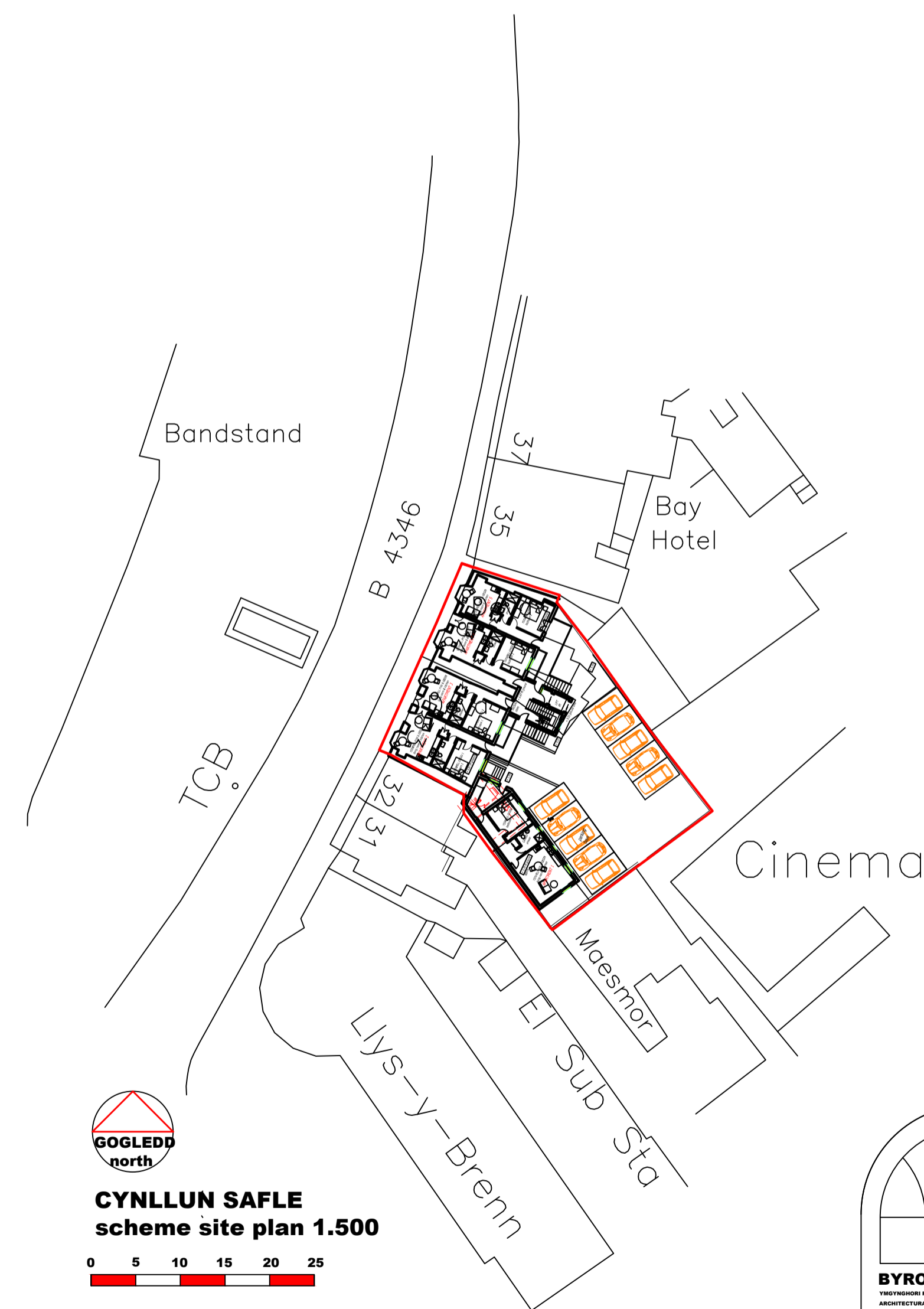
CYNLLUN LLEOLI
location plan 1.1250

Ordnance Survey, (c) Crown Copyright 2021. All rights reserved. Licence number 100022432



CYNLLUN SAFLE
survey site plan 1.500

0 5 10 15 20 25



CYNLLUN SAFLE
scheme site plan 1.500

0 5 10 15 20 25

BYRON JENKINS NICIAI,
ARCHITECTURAL CONSULTANTS & PROJECT MANAGERS,
CAREL HAN, LLEWELYN, ABERYSTWYTH,
CYMRU
01742 261145
01742 260864

2021 Designed & Drawn by
BYRON JENKINS
DEVIA,
Marine Terrace,
Aberystwyth.

BYRON JENKINS
survey drawing
CYNLLUN SAFLE
site plan, location
and details
120/159

© 2021 Byron Jenkins & Associates
2021 Checked 2022 BY BYRON